

LGMG

SC0612E

ALL-TERRAIN CRAWLER TYPE

- Automatic leveling outrigger, suitable for complex road surface operations.
- Strong power unit, environmentally friendly and reliable.
- High structural strength, and good stability.
- Overweight sensor is matched, with high safety factor.
- Battery and components are placed at two sides of chassis, easy to repair and maintenance, and convenient to maintenance with low maintenance cost.



LGMG ALL-TERRAIN CRAWLER TYPE

SPECIFICATIONS

MODELS	SC0612E (SC2050E)	
Measurements	Metric	Imperial
Work Height Max.	8.1m	26'7"
A Platform Height-Raised	6.1m	20'
B Platform Length	1.64m	5'5"
C Platform Width	0.73m	2'5"
D Overall Length	2.03m	6'8"
E Overall Width (Rail Unfolded)	1.47m	4'10"
Overall Width (Rail Folded)	1.26m	4'2"
F Overall Height-Guardrails Up (Rail Unfolded)	2.31m	7'7"
Overall Height-Guardrails Up (Rail Folded)	2.61m	8'7"
G Extension Deck	0.9m	2'11"
H Wheelbase	1.57m	5'2"
Ground Clearance	80mm	3"

PRODUCTIVITY

Max. Platform Occupancy	2(in) / 1(out)	
Platform Capacity	250kg	551 lbs
Platform Capacity-Extension Deck	120kg	265 lbs
Gradeability-Stowed	40%	
Max. Inclination(Front/Rear)	20° / 16°	
Min. Turning Radius	0	
Raise/Lower Speed	16s / 28s	

POWER

Power Source	24V((4x12V), 130Ah, AGM)	
--------------	--------------------------	--

HYDRAULIC SYSTEM

Hydraulic Oil Capacity	8L	2.1gal
------------------------	----	--------

WEIGHT

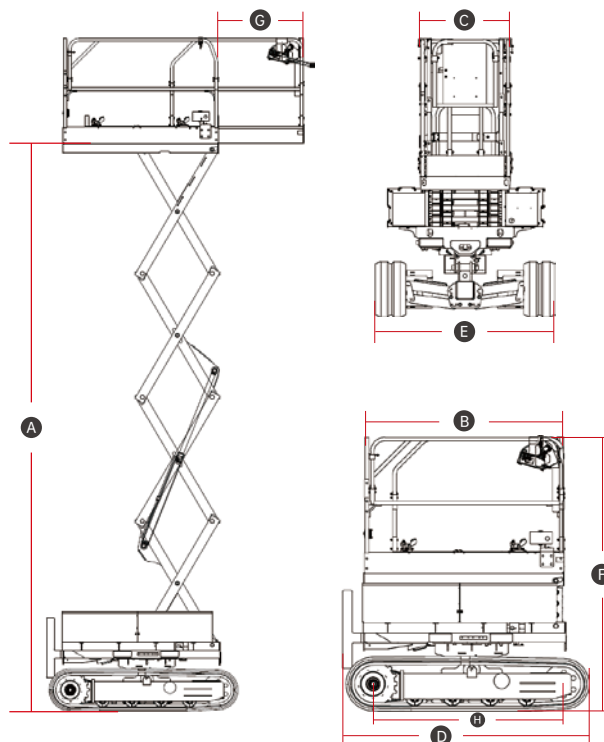
Machine Weight (CE/ANSI)	2,000kg	4,409 lbs
--------------------------	---------	-----------

STANDARD FEATURES

Crawlers	Emergency stop device
Proportional control	Overload sensing system
Self-lock entry gate	Emergency descent
All motions alarm	Intelligent diagnostic system
Foldable ladder	Maintenance-free battery
Descent alarm with flashing beacon	

OPTIONAL

AC power to platform	Biodegradable hydraulic oil
Voice alarm system	Telematics



Please contact LGMG or a local dealer for more details.

LGMG reserves the right to change technical data without prior notice. All photos and pictures in this brochure are for promotional purposes only.

LINGONG HEAVY MACHINERY CO., LTD.

Address: No. 2676, Kejia Road, Jinan, Shandong, China

Email: sales@lmgm.com.cn

Tel: +86 531 6787 9283

www.lmgmglifts.com



LGMG
RELIABILITY IN ACTION